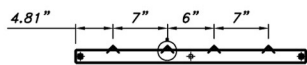
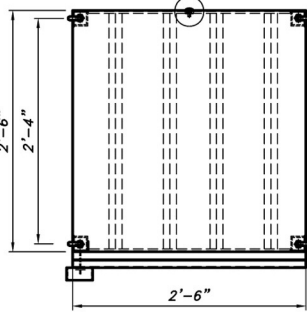
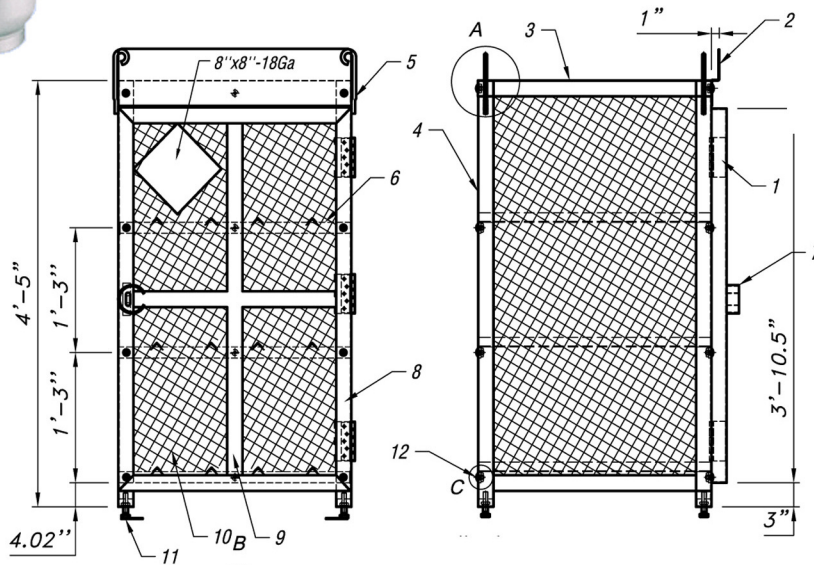


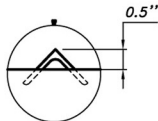
Toll Free 1-866-737-8900  
www.PostGuard.com

Toll Free 1-800-756-3537  
www.Sureguard.ca

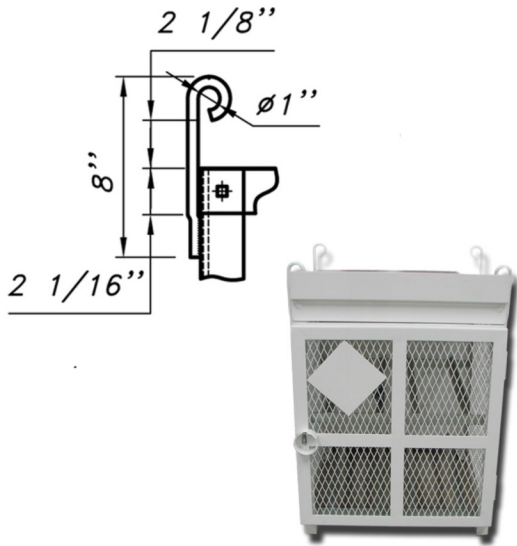
# 33lb Gas Cylinder Cage ENC-FE-33-6



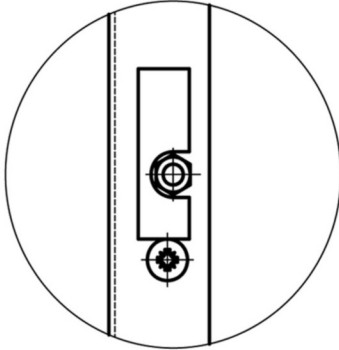
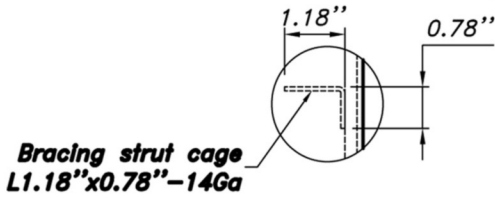
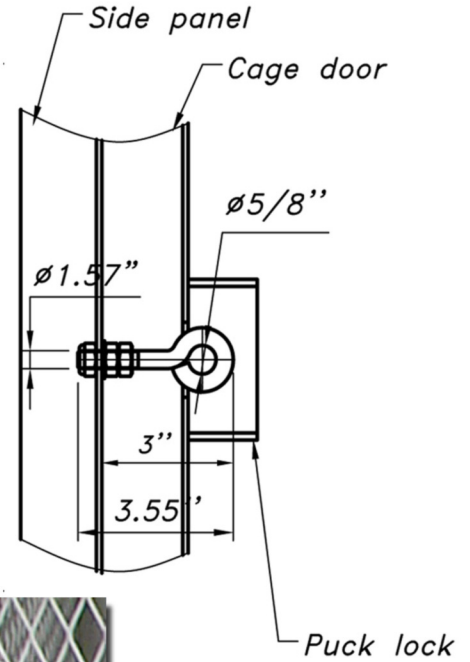
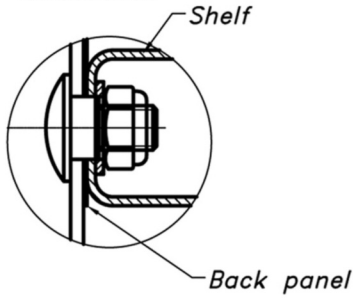
New rack shelf  
Quantity: 03 pcs



12	Square neck bolt		22	Steel
11	Leveller		4	Steel
10	Trellis			Steel thickness 13 Ga
9	Backing			Steel sheet thickness 11 Ga
8	Framed stile - angle bar 2"x2"		4	Steel sheet thickness 11 Ga
7	Puck lock		1	Steel sheet thickness 11 Ga
6	Rack shelf		3	Steel bar V, hot dipped galvanned
5	Hook		4	Round bar, Ø0.472"
4	Back panel 30w x51 15/32h		1	Steel sheet thickness 21 Ga
3	Top panel 30w x30d		1	Steel sheet thickness 21 Ga
2	Sign bar 30w		1	Steel sheet thickness 14 Ga
1	Sheet hinge		3	Steel
ITEM	DESCRIPTION	PART No.	QTY	MATERIAL



Back panel not extend past lowest shelf



**B-B**  
Bolt for center back panel  
Quantity: 03 pcs

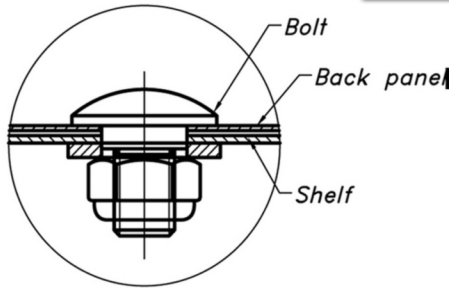
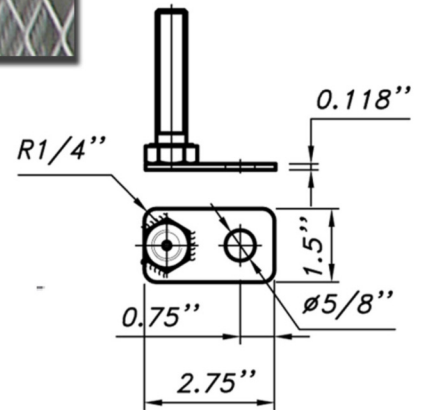


Plate Base Leveller  
Quantity: 04 pcs



Toll Free 1-866-737-8900  
www.PostGuard.com



Toll Free 1-800-756-3537  
www.Sureguard.ca